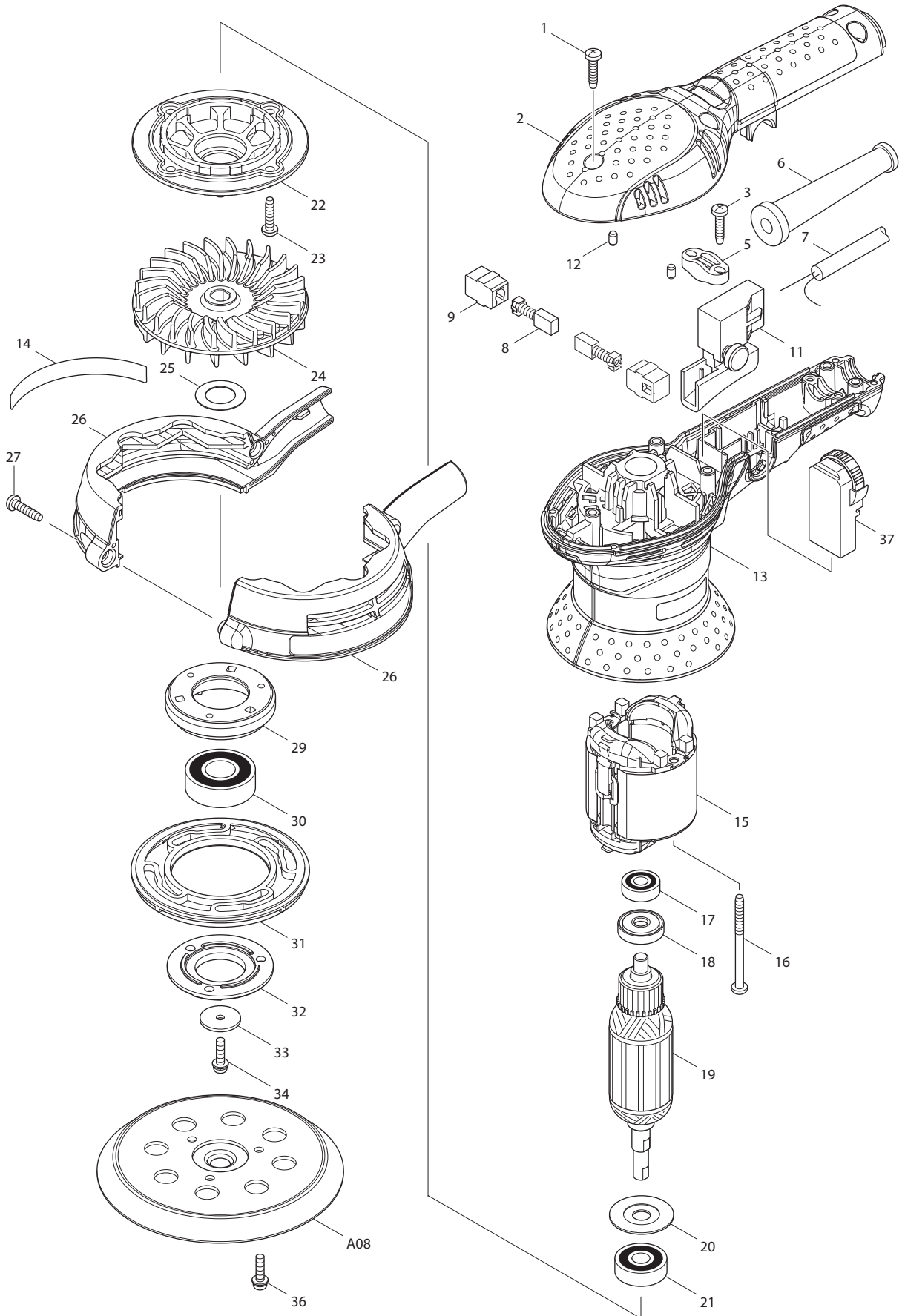




08 - 2010
BO5041K
5" RANDOM ORBIT SANDER



Item No	Type	Ref	Part No	Description	Qty	Unit
1			265995-6	TAPPING SCREW 4X18	5	PC.
2			451619-2	TOP COVER	1	PC.
3			265995-6	TAPPING SCREW 4X18	2	PC.
5			687063-9	CORD CLAMP	1	PC.
6			682502-4	CORD GUARD 8-85	1	PC.
7			660002-4	CORD W/PLUG 2P-18-2.0M, SJ	1	PC.
8			194971-2	CARBON BRUSH CB-75 2PC/SET (W/ ORIGIN)	1	SET
9			643552-4	BRUSH HOLDER 5-8	2	PC.
11			651286-5	SWITCH SGEL206C-5	1	PC.
12			263002-9	RUBBER PIN 4	2	PC.
13			451617-6	MOTOR HOUSING	1	PC.
15			633721-5	FIELD 115V	1	PC.
16			266147-2	TAPPING SCREW 4X55	2	PC.
17			210017-7	BALL BEARING 607DDW	1	PC.
18			681652-2	INSULATION WASHER	1	PC.
19			515731-3	ARMATURE ASS'Y 115V	1	PC.
		INC.		Item No. 17,18,20,21		
20			267806-1	WASHER 9	1	PC.
21			211092-6	BALL BEARING 629DDW	1	PC.
22			450672-5	BRACKET	1	PC.
23			265995-6	TAPPING SCREW 4X18	4	PC.
24			241673-2	FAN 88	1	PC.
25			267164-5	FLAT WASHER 15	1	PC.
26			188877-4	SKIRT SET	1	SET
27			265995-6	TAPPING SCREW 4X18	2	PC.
29			318304-9	BEARING BOX	1	PC.
30			211228-7	BALL BEARING 6202DDW	1	PC.
31			424131-5	BRAKE RING	1	PC.
32			318303-1	BEARING BOX COVER	1	PC.
33			253739-6	FLAT WASHER 4	1	PC.
34			911128-8	PAN HEAD SCREW M4X16	1	PC.
36			911128-8	PAN HEAD SCREW M4X16	3	PC.
37			631955-4	CONTROLLER	1	PC.
100			652008-6	PAN HEAD SCREW M3.5X7(FOR SWITCH)	4	PC.
101			654117-7	INSULATING EYE TERMINAL(FOR CORD/SWITCH)	2	PC.
102			654183-4	INSULATED TERMINAL(FOR FIELD)	4	PC.
103			654562-6	CLOSED END SPLICE (INSULATED CONNECTOR) (Between Controller and Field)	1	PC.
ACCESSORIES		- See catalogue or visit www.makita.ca for optional accessories -				
A01			125779-3	GRIP ASSEMBLY	1	PC.
		INC.	140440-1	GRIP BASE COMPLETE	1	PC.
		INC.	451622-3	GRIP	1	PC.
		INC.	451623-1	GRIP COVER	1	PC.
A02			166078-4	DUST BAG	1	PC.
A03			257202-1	RING 25 (USE BETWEEN ITEM 26 AND A05)	1	PC.
A04			416063-0	DUST BAG NOZZLE	1	PC.
A05			416064-8	DUST NOZZLE	1	PC.
A06			794520-1	5" HOOK&LOOP ABRASIVE DISC #120, 5PC/SET	1	PC.
A07	1		824562-2	PLASTIC CARRYING CASE	1	PC.
	1	INC.	416400-0A	LATCH	2	PC.
A07	2		824562-2	PLASTIC CARRYING CASE	1	PC.
		INC.	416661-0	LATCH	2	PC.

Item No	Type	Ref	Part No	Description	Qty	Unit
A08			743081-8	PAD 123(HOOK&LOOP)	1	PC.
A09			192278-0	HOSE COMPLETE 28-1.5	1	PC.
A10			P-80024	JOINT 25 (F/DUST COLLECTOR)	1	PC.
A11			794558-6	SPONGE PAD 125 SET	1	PC.
A12			794560-9	WOOL PAD 140 SET	1	PC.
A13	1		794559-4	FELT PAD 125 SET (Thickness 10 mm)	1	PC.
	2		196152-4	FELT PAD SET (Thickness 6 mm)	1	PC.
A14			135246-0	DUST BOX ASSY	1	PC.
A15			194746-9	PAPER DUST BAG 5PC/SET	1	SET
A16			195133-5	FILTER DUST BAG 5PC/SET	1	SET